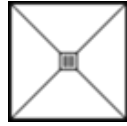
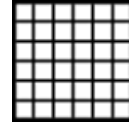


CONSTRUCTION BOARDS



ITALIAN SHOWERS



MOSAICS

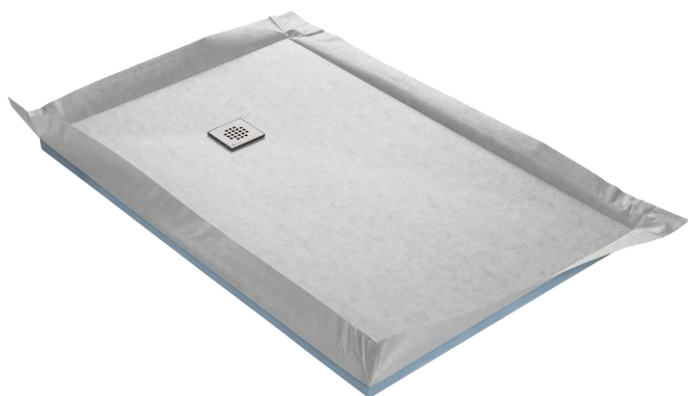


U-Tile DATASHEET

TILEABLE SHOWERTRAY FLATBOARD STANDARD

FLATBOARD STANDARD TILEABLE SHOWERTRAY

Tileable showertray with integrated waterproof mat



- ENHANCED MECHANICAL RESISTANCE
- COMPATIBLE WITH ALL TILES
- SUITABLE FOR PRM SHOWERS



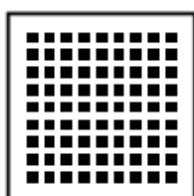
The U-Tile Flatboard tileable tray with standard outlet consists of an extruded hard foam, reinforced with mortar based on polymerized cement with fiberglass mesh. This combination allows the tray to be light, extremely mechanically resistant and can be cut. The tray is designed with four slopes of around 2% for quick and easy drainage of water. The trays are all designed with an integrated waterproof mat that protrudes 10 cm on each side of the tray to ensure peripheral sealing along with a quicker and safer installation. 10 sizes are available (see technical section): from square to rectangular formats for bathtub replacements.

Tailor-made trays and other formats: available on request.

AVAILABLE GRIDS FOR THE FLATBOARD RANGE



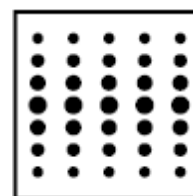
SQUARE GRID
(STANDARD)



SQUARE GRID 2



DIAGONAL GRID



ROUND GRID

FLATBOARD STANDARD TILEABLE SHOWERTRAY

References and Dimensions

REF	DESCRIPTION	FORMAT	LENGTH (MM)	WIDTH (MM)	THICKNESS (MM)	POSITION OF TRAP
RC 80 FLAT	TILEABLE SHOWER TRAY 800X800	CENTRE	800	800	40	400/400
RC 90 FLAT	TILEABLE SHOWER TRAY 900X900		900	900	40	450/450
RC 100 FLAT	TILEABLE SHOWER TRAY 1000X1000		1000	1000	40	500/500
RC 120 FLAT	TILEABLE SHOWER TRAY 1200X1200		1200	1200	40	600/600
RC 150 FLAT	TILEABLE SHOWER TRAY 1500X1500		1500	1500	40	750/750
RC 12090 CENTRE	TILEABLE SHOWER TRAY 1200X900		1200	900	40	450/600
RC 18590 CENTRE	TILEABLE SHOWER TRAY 1850X900		1850	900	40	450/925
RC 12090 FLAT	TILEABLE SHOWER TRAY 1200X900	OFFSET BATH FORMAT	1200	900	40	450/320
RC 14090 FLAT	TILEABLE SHOWER TRAY 1400X900		1400	900	40	450/320
RC 16090 FLAT	TILEABLE SHOWER TRAY 1600X900		1600	900	40	450/320
RC 150100 FLAT	TILEABLE SHOWER TRAY 1500X1000		1500	1000	40	500/320
RC 18590 FLAT	TILEABLE SHOWER TRAY 1850X900		1850	900	40	450/320
RC 200100 FLAT	TILEABLE SHOWER TRAY 2000X1000		2000	1000	40	500/320

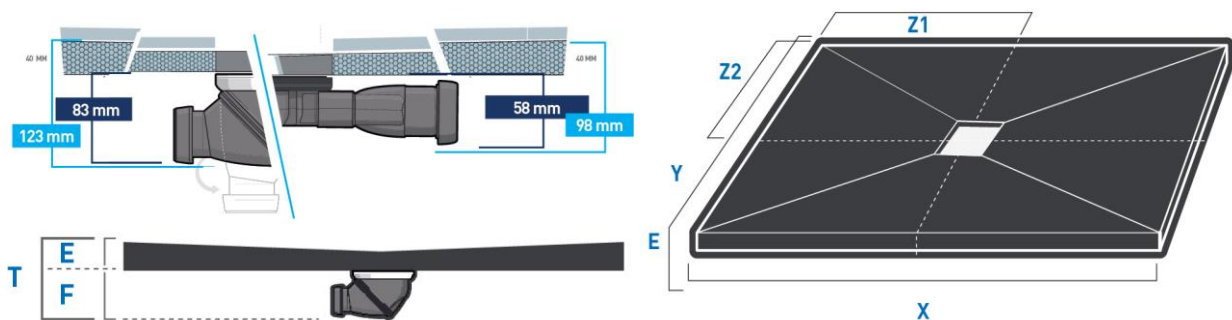
Technical Characteristics

DESCRIPTION	TEST	RESULT
Compressive Force	(ASTM C579)	0.5 N/mm ²
Fire Characteristics	EN 13501-1	CLASS E
Density		36 ± 0.02 kg/m ³
Grip	BS EN 1384	0.3 N/mm ²
Water Absorption in Immersion	DIN 53428	0.02% byVol
Water Absorption (Capillary)	DIN 53428	NIL

Water Seal	50mm in accordance with EN274 Standard
Displacement Under Tray	83mm (Horizontal Outlet) - James
	123mm (Vertical Outlet) - James
	58mm - Slim
Flowrate	Approx 40 Litres per minute
Outlet Diameter	40mm
Grid Size	115 x 115mm
Channel Size	700mm

FLATBOARD® SHOWER TRAYS

SQUARE OR RECTANGULAR 360° ORIENTABLE (OR ULTRA-LOW-PROFILE) TRAP VERSION



REF	X LENGTH (MM)	Y WIDTH (MM)	Z2 / Z1 POSITION OF TRAP	E THICKNESS OF TRAY (MM)	F DISPLACEMENT UNDER TRAY (MM)	T TOTAL DISPLACEMENT INCLUDING TRAY (MM)
RC 80 FLAT	800	800	400/400	40	83 (JAMES 360° TRAP) / 58 (SLIM ULTRA-LOW-PROFILE TRAP)	123 (JAMES 360° TRAP) / 98 (SLIM ULTRA-LOW-PROFILE TRAP)
RC 90 FLAT	900	900	450/450			
RC 100 FLAT	1000	1000	500/500			
RC 120 FLAT	1200	1200	600/600			
RC 150 FLAT	1500	1500	750/750			
RC 12090 FLAT	1200	900	450/320			
RC 14090 FLAT	1400	900	450/320			
RC 16090 FLAT	1600	900	450/320			
RC 150100 FLAT	1500	1000	500/320			
RC 18590 FLAT	1850	900	450/320			
RC 200100 FLAT	2000	1000	500/320			
RC 12090 CENTRE	1200	900	450/600			
RC 18590 CENTRE	1850	900	450/925			

U-Tile SA (Pty) Ltd, 64 Bluewater Drive, Bluewater Bay, Port Elizabeth, 6210

Tel: +27 83 629 4340, +27 41 466 0218

graham.hogg@u-tile.co.za - www.u-tile.co.za